

Pressure Pots

Diaphragm Pumps



DPS-120 | DPS-90

DDP-90F.TE



Pump Unit

DDP-120B.TE



Pump Unit

FEATURES

- Double Diaphragm Paint Pumps are the perfect choice for fluid delivery to manual and automatic spray guns
- Pneumatic pump control with double spool air circuit promises an excellent finish
- The pneumatic control system prevents forced stoppage of the pump
- Dead storage material channels and easily collapsible pump structure facilitate cleaning, inspection and maintenance
- Wear-resistant pump assembly
- Available also with a 2-way connection (Aluminum & Stainless Steel models)

TECHNICAL DATA	DPS-120C.TE	DPS-90G.TE
Ratio	1:1	
Max. Working Pressure	7 bar (100 psi)	
Fluid Output at 30 cyc/min.	4.5 lt./min	1.5 lt./min
Fluid Output at 200 cyc/min. max.	30 lt./min	10 lt./min
Paint Viscosity	85 sec/Ford#4	
Working Temperature	5-40 C°	
Paint Outlet Filter	100 mesh	
Siphon Paint Filter	50 mesh	

on Stand

on Tank Mount

on Cart

on Wall Mount

ASSEMBLY



ORDER Information		DPS-120			DPS-90		
UNIT ASSEMBLY	STAINLESS STEEL	MODELS	Code	\$	MODELS	Code	\$
PUMP UNIT		DDP-120BN	8143B	980.00	DDP-90FN	8134F	739.00
STAND MOUNT		DPS-1201CN	8181	2,000.00	DPS-901GN	8171	1,500.00
PAIL MOUNT		DPS-1202CN	8182	2,000.00	DPS-902GN	8172	1,500.00
CART MOUNT		DPS-1203CN	8183	2,000.00	DPS-903GN	8173	1,500.00
WALL MOUNT		DPS-1204CN	8184	1,880.00	DPS-904GN	8174	1,380.00
PAINT PRESSURE REGULATOR		PR-5BN	8060B	424.00	PR-5BLN	8077B	424.00



DDP-70B.TE



Pump Unit

FEATURES

- Double Diaphragm Paint Pumps are the perfect choice for fluid delivery for manual and automatic spray guns
- Pneumatic pump control with Double Spool air circuit promises an excellent finish
- The pneumatic control system prevents forced stoppage of the pump
- Dead storage material channels and easily collapsible pump structure facilitate cleaning, inspection and maintenance
- Wear-resistant pump assembly
- Available also with a 2-way connection



Paint Pressure Regulator

TECHNICAL DATA	DPS-70C.TE
Ratio	1:1
Max. Working Pressure	7 bar (100 psi)
Fluid Output at 200 cyc/min. max.	6 lt./min
Paint Viscosity	60 sec/Ford#4
Working Temperature	5-40 C°
Paint Outlet Filter	100 mesh
Siphon Paint Filter	50 mesh

on Stand

on Tank Mount

on Cart

on Wall Mount

ASSEMBLY



ORDER Information		DPS-70C			DPS-70CN		
UNIT ASSEMBLY		MODELS	Code	\$	MODELS	Code	\$
PUMP UNIT	ALUMINUM	DDP-70B	14068640	519.00	DDP-70BN	8135B	545.00
STAND MOUNT		DPS-701C	14069060	1,200.00	DPS-701CN	8191	1,300.00
PAIL MOUNT		DPS-702C	14069140	1,200.00	DPS-702CN	8192	1,300.00
CART MOUNT		DPS-703C	14069220	1,200.00	DPS-703CN	8193	1,300.00
WALL MOUNT		DPS-704C	14069300	1,080.00	DPS-704CN	8194	1,180.00
PAINT PRESSURE REGULATOR		PR-5BL	8281	350.00	PR-5BLN	8077B	424.00

Dimensions & Weight

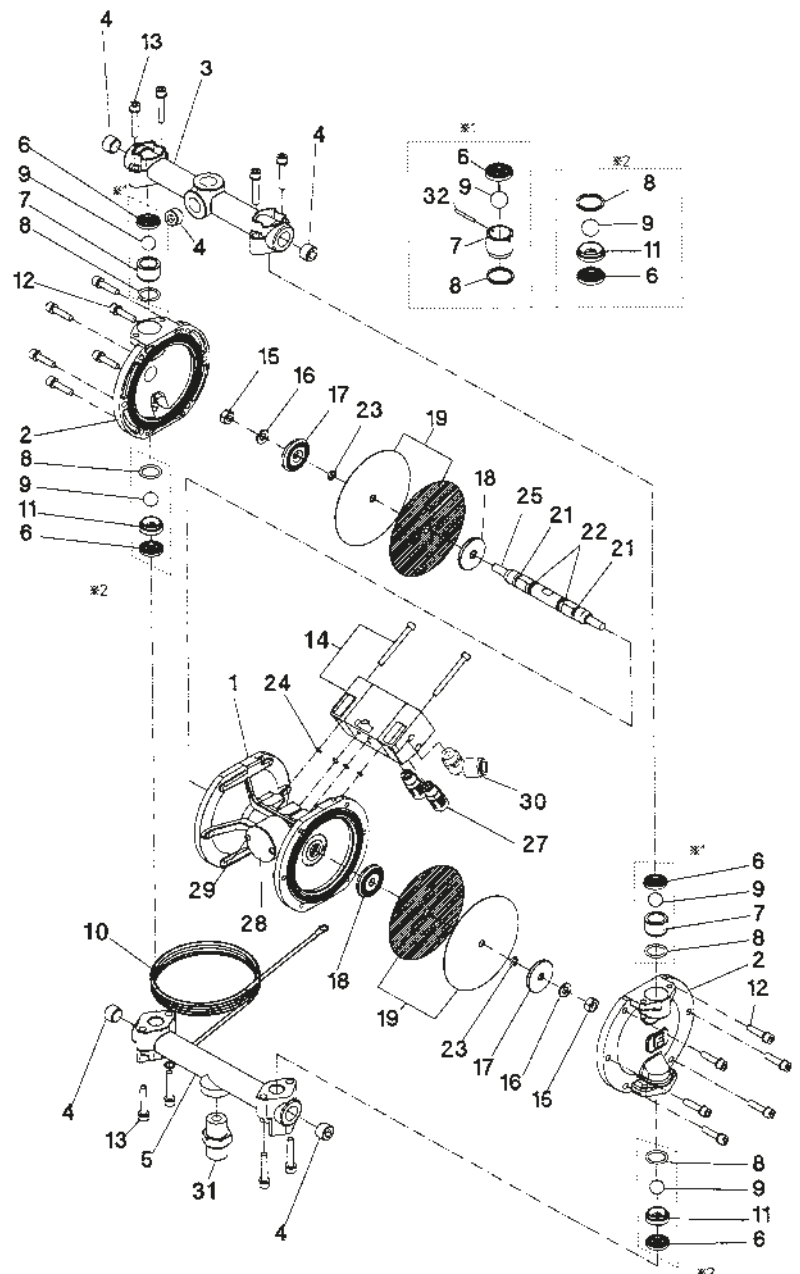
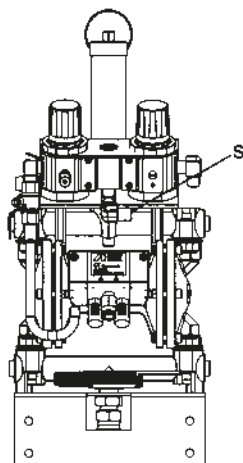
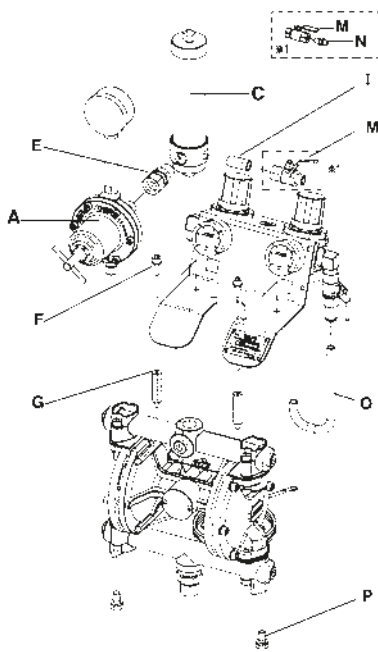
UNIT ASSEMBLY		Dimensions (mm)	Weight (kg)		Dimensions (mm)	Weight (kg)		Dimensions (mm)	Weight (kg)						
On Stand	DPS-120	409x358x806	10.5 (C) 13.9 (CN) 10.5 (C-WB)	DPS-90	409x358x764	9.6 (G) 11.7 (GN) 9.6 (G-WB)	DPS-70	410x358x700	6.0 (C) 7.4 (CN)						
On Tank Mount										357x312x798	9.6 (C) 12.1 (CN) 9.6 (C-WB)	357x312x756	8.7 (G) 10.8 (GN) 8.7 (G-WB)	357x312x683	5.1 (C) 6.5 (CN)
On Cart w/Dip tube										437x452x868	13.0 (C) 15.5 (CN) 13.0 (C-WB)	437x452x868	12.1 (G) 14.2 (GN) 12.1 (G-WB)	439x452x868	8.5 (C) 9.9 (CN)
On Wall Mount										363x214x534	9.5 (C) 12.0 (CN) 9.5 (C-WB)	363x214x492	8.6 (G) 10.7 (GN) 8.6 (G-WB)	364x214x428	5.0 (C) 7.1 (CN)
On Cart w/Hopper										526x528x868	13.0 (C) 15.5 (CN) 13.0 (C-WB)	526x528x868	12.1 (G) 14.2 (GN) 12.1 (G-WB)	573x555x868	8.5 (C) 9.9 (CN)



DPS-120 | DPS-90 ACCESSORIES

ACCESSORIES				
Ref.	Code	Description	for Models	\$
A	8281	PAINT REGULATOR SET PR-5BL	for Aluminum	350.00
A	8077B	PAINT REGULATOR SET PR-5BLN	for Stainless Steel	424.00
C	94493020	PAINT FILTER SET		213.00
E	06859803	SWIVEL JOINT	for DPS 120-1C/-2C/-3C/-4C/-36C DPS 90-1G/-2G/-3G/-4G/-36G	6.00
E	06859591	SWIVEL JOINT	for DPS 120-1CN/-2CN/-3CN/-4CN/-36CN and -WB_DPS 90-1GN/-2GN/-3GN/-4GN/-36GN and -WB	58.00
F	06357501	HEX. SOCKET BOLT WITH WASHER		2.00
G	04493000	CONNECTING BOLT		15.00
I	06642002	NIPPLE		9.00
M	04432650	BALL VALVE	for DPS120-1C/-2C/-3C/-4C/-36C and DPS90-1G/-2G/-3G/-4G/-36G	15.00
M	04433630	BALL VALVE	for DPS 120-1CN/-2CN/-3CN/-4CN/-36CN and -WB_DPS 90-1GN/-2GN/-3GN/-4GN/-36GN and -WB	46.00
N	94343310	JOINT G1/4"R1/4"	for DPS 120-1CN/-2CN/-3CN/-4CN/-36CN and -WB_DPS 90-1GN/-2GN/-3GN/-4GN/-36GN and -WB	39.00
O	04494040	PIPE		2.00
P	06994758	WASHER BOLT		2.00
S	06859563	ELBOW UNION	for DPS 120-4C/-4CN and DPS 90-4G/-4GN	15.00

Accessories



SPARE PARTS

Ref.	Code	Description	Qty.	DDP-90F	DDP-90FN	DDP-120B	DDP-120BN	\$
1	94410622	MAIN BODY		X	X			710.00
1	94437632	MAIN BODY				X	X	830.00
2	94456582	LID		X				137.00
2	94414592	LID			X			518.00
2	94439631	LID				X		206.00
2	94453660	LID					X	452.00
3	94452640	UPPER ADAPTOR		X		X		122.00
3	94414650	UPPER ADAPTOR			X		X	171.00
4	96990413	HEXAGON SOCKET PLUG		X		X		8.00
4	96367202	HEXAGON SOCKET PLUG			X		X	28.00
5	94441630	LOWER ADAPTOR		X		X		164.00
5	94416592	LOWER ADAPTOR			X		X	567.00
6	94935620	PACKING SET	2 pcs./1 pk	X	X			14.00
6	94933290	PACKING SET	2 pcs./1 pk			X	X	20.00
7	94931630	EXHAUST VALVE	2 pcs./1 pk	X	X			40.00
7	94935290	EXHAUST VALVE	2 pcs./1 pk			X	X	55.00
8	94932630	O-RING SET	2 pcs./1 pk	X	X			5.00
8	94930300	O-RING SET	2 pcs./1 pk			X	X	6.00
9	94930630	STEEL BALL SET	2 pcs./1 pk	X	X			14.00
9	94934290	STEEL BALL SET	2 pcs./1 pk			X	X	34.00
10	04492830	GROUND WIRE		X	X	X	X	9.00
11	94933630	INTAKE VALVE	2 pcs./1 pk	X	X			42.00
11	94446630	INTAKE VALVE	2 pcs./1 pk			X	X	55.00
12	96357500	HEX. SOCKET BOLT WITH WASHER		X	X	X	X	3.00
13	96357502	HEX. SOCKET BOLT WITH WASHER		X	X	X	X	4.00
14	94490631	AIR OPERATING VALVE SET		X	X	X	X	354.00
15	96361081	HEX. NUT		X	X	X	X	3.00
16	96362080	SPRING WASHER		X	X	X	X	3.00
17	94414600	DIAPHRAGM HOLDER(OUTER)		X	X			53.00
17	94448630	DIAPHRAGM HOLDER(OUTER)				X	X	69.00
18	94453581	DIAPHRAGM HOLDER(INNER)		X	X			19.00
18	94449631	DIAPHRAGM HOLDER(INNER)				X	X	31.00
19	94931620	DIAPHRAGM SET	2 in+2 out	X	X			102.00
19	94932301	DIAPHRAGM SET	2 in+2 out			X	X	144.00
21	96996610	Y PACKING		X	X	X	X	8.00
22	96630011	O-RING		X	X	X	X	4.00
23	96630008	O-RING		X	X	X	X	4.00
24	96630004	O-RING		X	X			3.00
24	96630006	O-RING				X	X	4.00
25	94431590	ROD		X	X	X	X	152.00
27	94432590	MUFFLER		X	X	X	X	21.00
28	94456570	BLANKING COVER		X	X	X	X	15.00
29	96234002	TAPPING SCREW		X	X	X	X	4.00
30	06800202	ELBOW UNION		X	X	X	X	15.00
31	94427640	JOINT		X		X		16.00
31	94428640	JOINT			X		X	87.00
32	94444630	PIN				X	X	6.00



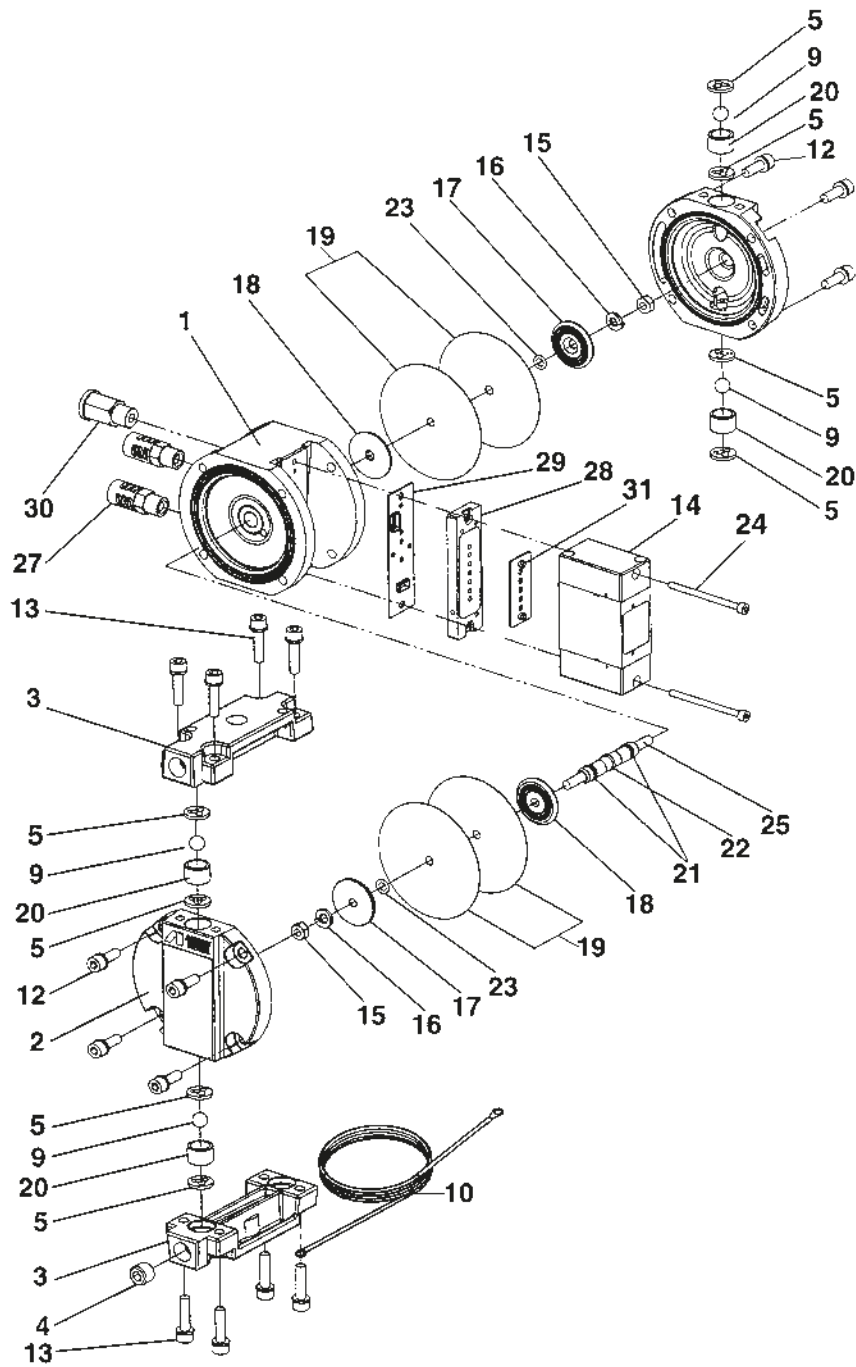
ACCESSORIES

Ref.	Code	Description	for Models	\$
A	8281	PAINT REGULATOR SET PR-5BL	for Aluminum	350.00
A	8077B	PAINT REGULATOR SET PR-5BLN	for Stainless Steel	424.00
D	06646002	STREET ELBOW		30.00
E	06859557	MALE-FEMALE UNION	DPS 701C/702C/704C	15.00
E	06859558	MALE-FEMALE UNION	DPS 701CN/702CN/703CN/7036CN/704CN	58.00
F	06357501	HEX. SOCKET BOLT WITH WASHER		2.00
M	04432650	BALL VALVE	DPS 701C/702C/703C/704C/7036C	15.00
M	04433630	BALL VALVE	DPS 701CN/702CN/703CN/7036CN/704CN	46.00
N	94343310	JOINT G1/4" R1/4"		11.82
O	04492930	TUBE		2.00
P	06994756	WASHER BOLT		2.00
R	06859538	ELBOW UNION 1/4" M - 1/4" M	DPS 701C/702C/704C	6.00
R	04435630	ELBOW UNION 1/4" M - 1/4" M	DPS 701CN/702CN/703CN/7036CN/704CN	46.00
S	06859563	ELBOW UNION Rc1/4" F - 1/4" M	DPS 704C/704CN	15.00
T	04492790	ELBOW UNION Rc 3/8" F - 3/8" M	DPS 702C/702CN	53.00

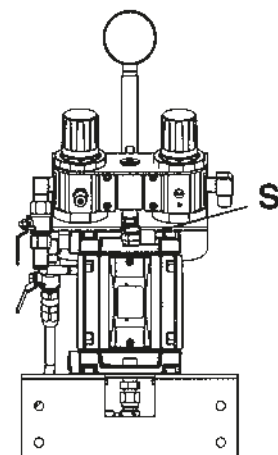
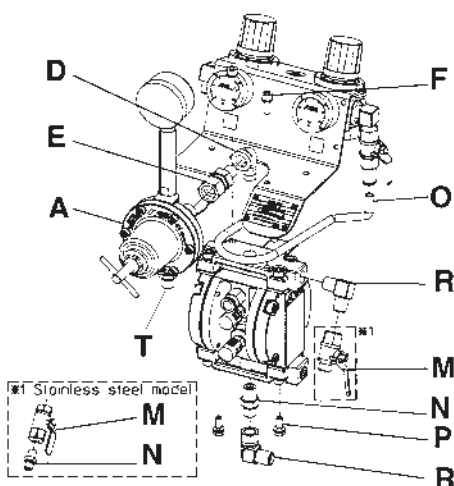
SPARE PARTS

Ref.	Code	Description	Qty.	DDP-70B	DDP-70BN	\$
1	94943570	MAIN BODY		X	X	410.00
2	94402581	LID		X		125.00
2	94409720	LID			X	182.00
3	94400583	ADAPTOR		X		110.00
3	94409710	ADAPTOR			X	165.00
4	96990412	HEXAGON SOCKET PLUG		X		6.00
4	96367201	HEXAGON SOCKET PLUG			X	19.00
5	94932320	PACKING SET	4 pcs./1 pk.	X	X	11.00
9	94932330	STEEL BALL SET	2 pcs./1 pk.	X	X	18.00
10	04492830	GROUND WIRE		X	X	8.00
12	06357501	HEX. SOCKET BOLT WITH WASHER		X	X	2.00
13	96357500	HEX. SOCKET BOLT WITH WASHER		X	X	3.00
14	04409650	AIR OPERATING VALVE SET		X	X	347.00
15	96361060	HEX. NUT		X	X	2.00
16	06362060	SPRING WASHER		X	X	2.00
17	94401592	DIAPHRAGM HOLDER (outer)		X	X	19.00
18	94402592	DIAPHRAGM HOLDER (inner)		X	X	19.00
19	94932340	DIAPHRAGM SET (outer)	2 pcs./1 pk.	X	X	92.00
20	94932310	SEAT	2 pcs./1 pk.	X	X	23.00
21	96996611	Y PACKING		X	X	10.00
22	96996640	PSD PACKING		X	X	11.00
23	96630006	O RING		X	X	4.00
24	96356503	BOLT WITH HEX. HOLE		X	X	2.00
25	94405581	ROD		X	X	96.00
27	94432590	MUFFLER		X	X	21.00
28	94944571	SUB PLATE		X	X	61.00
29	94405591	GASKET		X	X	16.00
30	96801202	HALF UNION		X	X	7.00
31	94409660	PACKING		X	X	10.00





Accessories



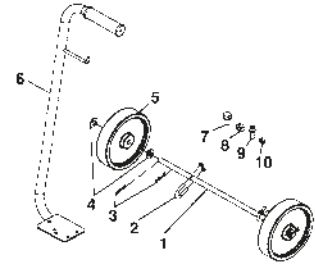
"S" Elbow Union for Air Connection



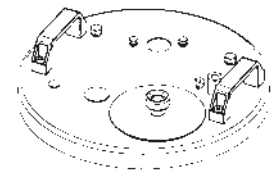
SPARE PARTS AND ACCESSORIES

Code	Description	\$
FOR ALL CART TYPES (Pict. A):		
94492770	WHEEL CART SET	265.00
04493910	AXLE	1 46.00
06991938	"U" BOLT	2 30.00
06659020	SNAP PIN	3 2.00
06475122	WASHER	4 2.00
07990213	SOLID TIRE	5 30.00
04493920	HANDLE	6 137.00
06994758	BOLT + WASHER	7 2.00
06382082	HEX. NUT	8 2.00
06357501	HEX. SOCKET BOLT WITH WASHER	9 2.00
06382062	HEX. NUT	10 2.00
FOR ALL TANK TYPES (Pict. B):		
94492780	LID SET	205.00
FOR ALL WALL BRACKET TYPES (Pict. C):		
04459630	WALL MOUNTING BRACKET	91.00
06859563	ELBOW UNION (FOR AIR CONNECTION)	15.00
HOPPER SET		
8147	HOPPER SET FOR DPS903/1203	462.00
REGULATOR SET FOR TWO GUNS (Pict. D):		
8066B	2 GUN SETUP WITH 1 PR-5 REGULATOR	458.00

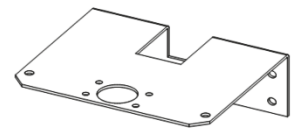
Pict. A



Pict. B

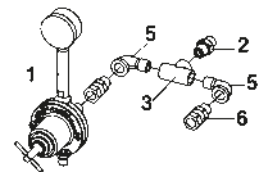


Pict. C



Pict. D

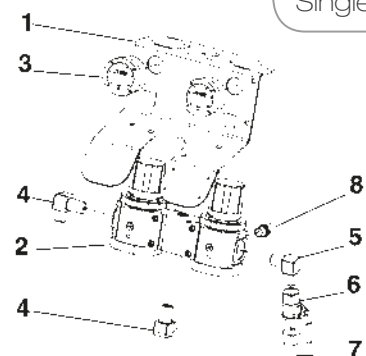
Stainless Steel type



AIR REGULATOR SET

Code	Description	Ref.	\$
04492860	PANEL	1	76.00
04492870	AIR REGULATOR SET (2 REGULATORS SET)	2	197.00
04492890	AIR REGULATOR (SINGLE)		83.00
04492910	PRESSURE GAUGE	3	29.00
06858202	ELBOW R1/4" G1/4"	4	6.00
06859538	ELBOW R1/4" R1/4"	5	6.00
04492920	BALL VALVE RC1/4" R1/4"	6	23.00
06809136	FEMALE UNION Ø10 X RC1/4"	7	12.00
04492940	SAFETY VALVE	8	30.00

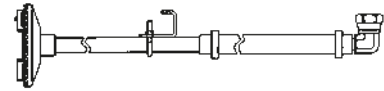
Air Regulator



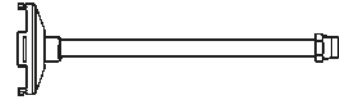
SUCTION HOSE & DRAIN HOSE SET

Code	Description	Ref.	\$
SUCTION HOSE SET FOR CART TYPE (A) - STAND TYPE (B) - WALL BRACKET TYPE (D)			
04493830	SUCTION HOSE FOR ALUMINUM MODEL	Pict. 1	129.00
04494060	SUCTION HOSE FOR STAINLESS STEEL AND ANODIZED ALUMINUM MODEL	Pict. 1	205.00
04437930	SUCTION HOSE FOR DPS 701C/703C/704C/7036C- /CN STAINLESS STEEL	Pict. 1	129.00
SUCTION PIPE SET FOR TANK TYPE (C)			
04493670	SUCTION PIPE FOR ALUMINUM MODEL	Pict. 2	68.00
04404210	SUCTION PIPE FOR STAINLESS STEEL AND ANODIZED ALUMINUM MODEL	Pict. 2	99.00
04437830	SUCTION PIPE FOR DPS 704C- /CN STAINLESS STEEL	Pict. 2	99.00
SUCTION FILTER SET FOR ALL TYPES			
04637780	SUCTION FILTER	Pict. 3	23.00
0040720100	FILTER (50 mesh)	1	17.50
00407203	FILTER STOPPER	2	4.00
DRAIN HOSE SET FOR CART TYPE (A) - STAND TYPE (B) - WALL BRACKET TYPE (D)			
04493850	DRAIN HOSE FOR ALUMINUM MODEL	Pict. 4	30.00
04494090	DRAIN HOSE FOR STAINLESS STEEL AND ANODIZED ALUMINUM MODEL	Pict. 4	46.00
04493571	DRAIN HOSE FOR ALUMINUM MODEL	Pict. 5	30.00
04494220	DRAIN HOSE FOR STAINLESS STEEL AND ANODIZED ALUMINUM MODEL	Pict. 5	46.00
DRAIN HOSE SET FOR HOPPER TYPE (E)			
04400280	DRAIN HOSE	Pict. 6	17.00

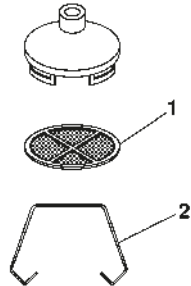
Pict. 1



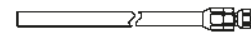
Pict. 2



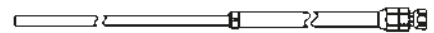
Pict. 3



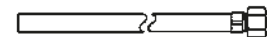
Pict. 4



Pict. 5



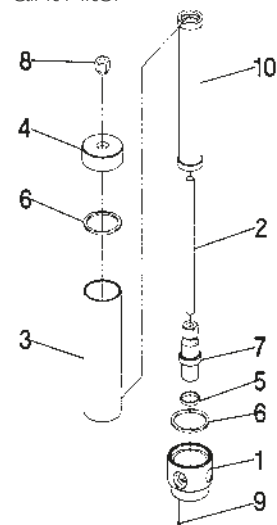
Pict. 6



PAINT FILTER SET

Code	Description	Ref.	\$
04493020	PAINT FILTER SET		212.00
04493030	BODY	1	61.00
04493040	FILTER BOLT	2	15.00
04493050	CYLINDER	3	53.00
04493060	CYLINDER CAP	4	30.00
04493070	PACKING	5	5.00
04493080	PACKING	6	5.00
04493090	JOINT	7	32.00
04493800	BOLT CAP	8	8.00
06583006	SPRING PIN	9	2.00
VFM2503	FILTER (100 MESH)	10	5.00

Paint Filter



Paint Flow Control Valve

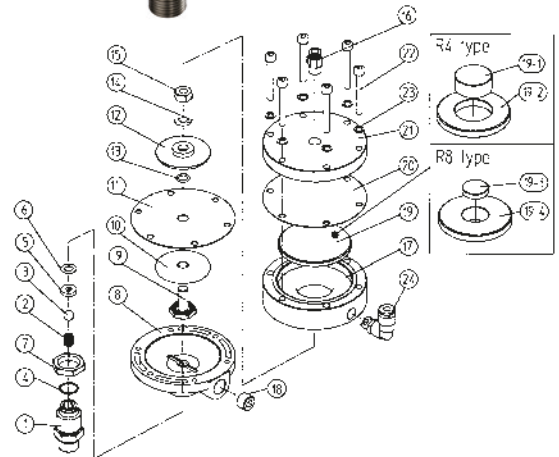
FCV-31 FCV-31 N-S1-R4 / -R8				
Code	Description	Type	Ref.	\$
6762	FCV-31 PAINT FLOW CONTROL VALVE			551.00
6765	FCV-31N PAINT FLOW CONTROL VALVE (STAINLESS STEEL)			825.00
6766	FCV 31N-R4 PAINT FLOW CONTROL VALVE (STAINLESS STEEL)			887.00
6767	FCV 31N-R8 PAINT FLOW CONTROL VALVE (STAINLESS STEEL)			887.00
94700450	JOINT		1	73.00
94701451	VALVE SPRING		2	14.00
94702450	CARBIDE BALL		3	33.00
96639514	O RING		4	14.00
94703450	SEAT		5	76.00
94704450	PACKING		6	2.00
94731450	HEXAGON NUT		7	11.00
94705451	BODY		8	40.00
94707450	DIAPHRAGM BOLT		9	47.00
94708450	DIAPHRAGM HOLDER		10	16.00
94976440	DIAPHRAGM		11	30.00
94709451	DIAPHRAGM STOPPER		12	33.00
96995905	O RING		13	5.00
06500802	SPRING WASHER		14	2.00
96383086	HEXAGON NUT		15	4.00
96801161	HALF UNION		16	15.00
94757410	DIAPHRAGM CAP		17	129.00
06990412	PLUG WITH HEX. HOLE	(FCV-31)	18	6.00
96367201	PLUG WITH HEX. HOLE	(FCV-31N-S1)	18	19.00
94758410	DIAPHRAGM HOLDER (2) (1 pc.)	(FCV-31N-S1)	19	67.00
94768410	PISTON	(FCV-31N-S1-R4)	19-1	34.00
94766410	DIAPHRAGM HOLDER (2) (1 pc.)	(FCV-31N-S1-R4)	19-2	67.00
94769410	PISTON	(FCV-31N-S1-R8)	19-3	34.00
94767410	DIAPHRAGM HOLDER (2) (1 pc.)	(FCV-31N-S1-R8)	19-4	68.00
94759410	DIAPHRAGM (2) (1 pc.)		20	29.00
94760410	DIAPHRAGM CAP (2) (1 pc.)		21	111.00
96350540	BOLT WITH HEX.HOLE		22	3.00
96500502	SPRING WASHER		23	2.00
06800161	ELBOW UNION		24	15.00

FEATURES:

- Max. Flow Rate: 2.0 l/min
- Max. Primary Pressure: 25 bar/362 PSI
- Adj. Air Pressure: 0.0 ~ 6.0 bar/0 ~ 87 PSI
- Fluid Inlet Joint: G 3/8" B
- Fluid Outlet Joint: Rc 1/4"
- Air Hose: ø 6x4mm
- Mass Aluminum Version: 750 g
- Mass Stainless Steel Version: 950 g



Quick reset system

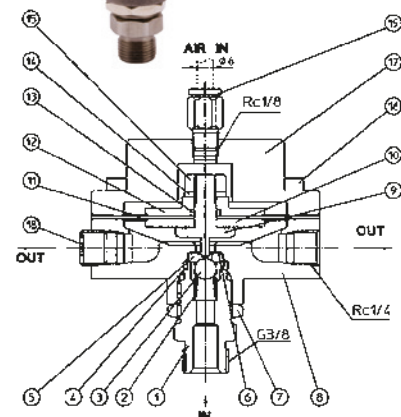


Paint Flow Control Valve

FCV-3				
Code	Description	Type	Ref.	\$
6760	FCV-3 PAINT FLOW CONTROL VALVE			398.00
6761	FCV-3N PAINT FLOW CONTROL VALVE			734.00
94700450	JOINT		1	73.00
94701451	VALVE SPRING		2	14.00
94702450	CARBIDE BALL		3	33.00
96639514	O RING		4	14.00
94703450	SEAT		5	76.00
94704450	PACKING		6	2.00
94731450	HEXAGON NUT		7	11.00
94705451	BODY		8	40.00
94707450	DIAPHRAGM BOLT		9	47.00
94708450	DIAPHRAGM HOLDER		10	16.00
94976440	DIAPHRAGM		11	30.00
94709451	DIAPHRAGM STOPPER		12	33.00
96995905	O RING		13	5.00
06500802	SPRING WASHER		14	2.00
96383086	HEXAGON NUT		15	4.00
96357480	HEXAGON SOCKET BOLT + WASHER		16	2.00
94757400	DIAPHRAGM CAP		17	26.00
96990412	PLUG		18	6.00
96801161	HALF UNION		19	15.00

FEATURES:

- Max. Flow Rate: 2.0 l/min
- Max. Primary Pressure: 25 bar/362 PSI
- Max. Air Pressure: 6.0 bar/87 PSI
- Fluid Inlet Joint: G 3/8" B
- Fluid Outlet Joint: Rc 1/4"
- Air Hose: ø 6x4 mm
- Mass : 850 g



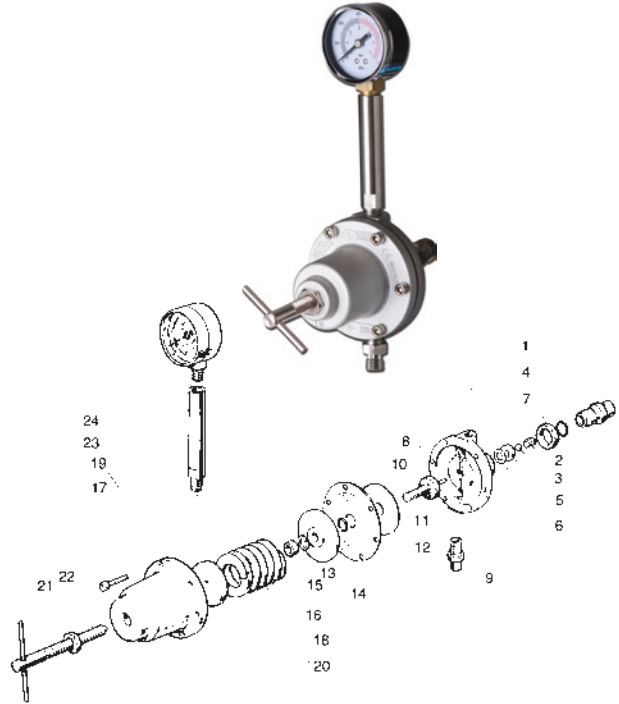
Paint Pressure Regulator

PR-5BL | PR-5BL N

Code	Description	Type	Ref.	\$
8077B	PR-5BLN PAINT PRESSURE REGULATOR (STAINLESS STEEL)			424.00
94700450	JOINT		1	73.00
94701451	VALVE SPRING		2	14.00
04702450	TUNGSTEN CARBIDE BALL		3	33.00
96639514	O RING		4	14.00
94703450	CARBIDE SEAT		5	73.00
94704450	PACKING		6	5.00
94731450	HEXAGON NUT		7	11.00
94705451	MAIN BODY	PR-5BL.TE	8	40.00
94724451	MAIN BODY	PR-5BLN.TE	8	265.00
04754450	JOINT 1/4" - G 3/8"	STAINLESS STEEL	9	23.00
94707450	DIAPHRAGM BOLT		10	47.00
94708450	DIAPHRAGM HOLDER		11	16.00
94976440	DIAPHRAGM		12	30.00
94709451	DIAPHRAGM STOPPER		13	33.00
96995905	O RING		14	5.00
06500802	SPRING WASHER		15	2.00
96383086	HEX NUT		16	4.00
96357480	BOLT WITH HEX HOLE		17	2.00
94720440	ADJ.SPRING		18	23.00
94711451	DIAPHRAGM CAP		19	66.00
94713450	SPRING HOLDER		20	23.00
94717501	HEX NUT		21	5.00
94970440	HANDLE SET		22	21.00
94725450	RISING PIPE		23	52.00
04755451	PRESSURE GAUGE		24	24.00

FEATURES:

- Max. Flow rate: 1.5 l/min
- Max. Primary Pressure: 7.0 bar/101 PSI
- Secondary Pressure range: 0.0 ~ 3.0 bar/0 ~ 43 PSI
- Fluid IN/OUT Joint: G 3/8" B
- Mass: 850 g



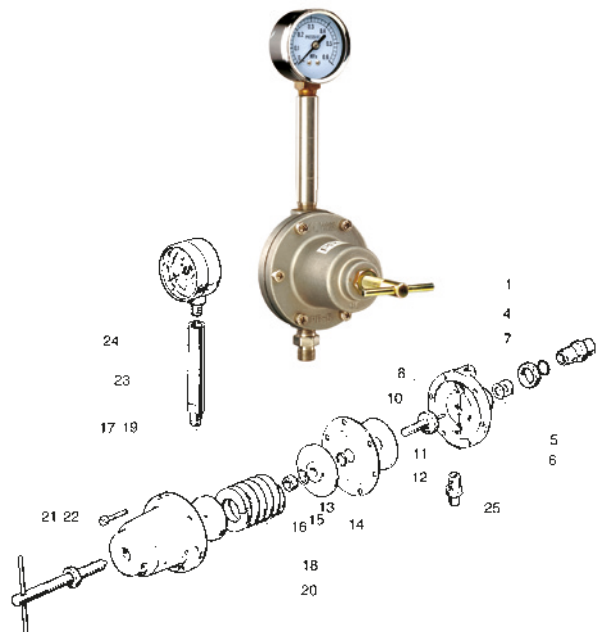
Back Pressure Valve for Paint Recirculation

PR-B5 | PR-B5 BN

Code	Description	Ref.	\$
8078B	PR-B5 BN BACK PRESSURE VALVE (STAINLESS STEEL)		809.00
94700450	JOINT	1	73.00
96639514	O RING	4	14.00
94703450	CARBIDE VALVE	5	73.00
94704450	PACKING	6	5.00
94731450	HEXAGON NUT	7	11.00
04737450	DIAPHRAGM BOLT	10	110.00
94708450	DIAPHRAGM HOLDER	11	16.00
94976440	DIAPHRAGM	12	30.00
94709451	DIAPHRAGM STOPPER	13	33.00
96995905	O RING	14	5.00
06500802	SPRING WASHER	15	2.00
96383086	HEXAGON NUT	16	4.00
96357480	HEXAGON SOCKET BOLT + WASHER	17	2.00
94720440	ADJUSTING SPRING	18	23.00
94711451	DIAPHRAGM CAP	19	66.00
94713450	SPRING STOPPER	20	23.00
94717501	HEXAGON NUT	21	5.00
94970440	HANDLE SET	22	21.00
94725450	RISING PIPE	23	52.00
07201092	PRESSURE GAUGE	24	23.00
UL30010600	JOINT RC. 1/4" - G 3/8"	25	12.00

FEATURES:

- Max. Flow rate: 2.0 l/min
- Max. Primary Pressure: 6.0 bar/87 PSI
- Fluid Inlet joint: G 1/4" B
- Fluid Outlet joint: G 3/8" B
- Mass Aluminum version: 850 g
- Mass Stainless Steel version: 1020 g



PC-18D/DT (max. 3.5 bar / 50.5 PSI)



FEATURES:

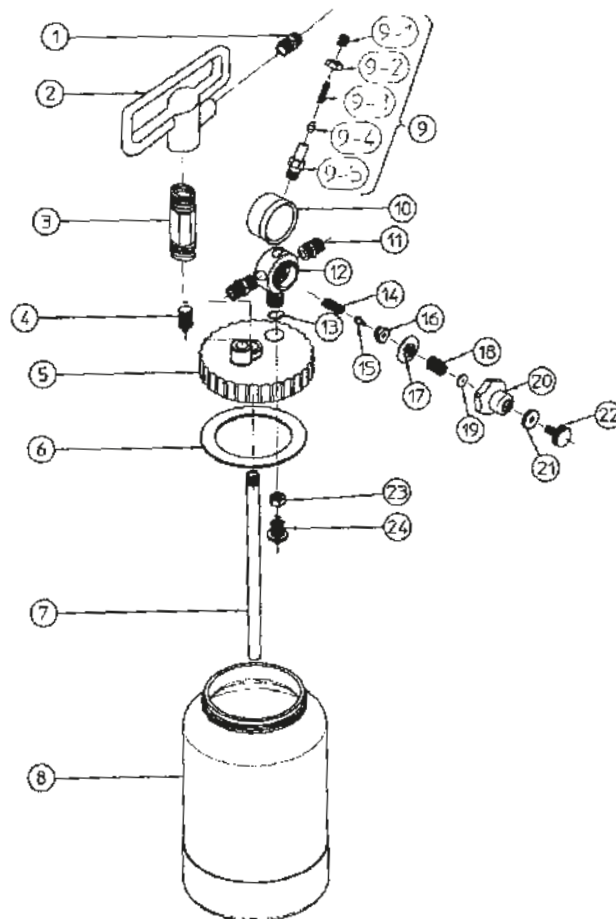
- Max. Operating Pressure: 3.5 bar/50.5 PSI
- Fluid Nipple: G 3/8" (PF3/8)
- Capacity: 2 lt
- Tank: Aluminum
- Temperature Range: 5~40°C / 41-104°F

PC-18DT - PTFE COATED

Ref.	Code	Description	\$
	6003BT	PC-18DT 2 QUART POT PTFE COATED	528.00
1	94065350	FLUID JOINT	
3	94066350	HANDLE JOINT	
7	94067350	SUCTION PIPE	40.00
8	94041351	CONTAINER SET	320.00
12	94063350	AIR REGULATOR BODY SET	
23	94068350	NUT	
24	94069350	CHECK VALVE SET	

PC-18D

Ref.	Code	Description	\$
	6003B	PC-18D 2 QUART PRESSURE POT	199.00
1	94056350	FLUID JOINT	48.00
2	94055350	HANDLE	77.00
3	94057350	HANDLE JOINT	34.00
4	94003350	AIR RELEASE VALVE	30.00
5	94053350	LID	69.00
6	94900210	LID PACKING (2 pcs./1 pk.)	9.00
7	94001350	SUCTION PIPE	19.00
8	94000351	CONTAINER SET	161.76
9	94007350	SAFETY VALVE	35.00
9-1	94012350	PLUG	8.00
9-2	94011350	NUT	11.00
9-3	94010350	SAFETY VALVE SPRING	8.00
9-4	94009350	SAFETY VALVE SPRING SEAT	8.00
9-5	94008350	SAFETY VALVE BODY	15.00
10	94048400	PRESSURE GAUGE	58.00
11	94027350	JOINT	10.00
12	94049350	AIR REGULATOR BODY SET	103.37
13	96631012	O RING	4.00
14	94016350	SPRING	9.00
15	94017350	REGULATOR SEAT	12.00
16	94018350	GUIDE	15.00
17	94019350	DIAPHRAGM SET	26.00
18	94023350	DIAPHRAGM SET SPRING	9.00
19	94038350	SPRING HOLDER	19.00
20	94074350	CAP	34.00
21	94025350	NUT	10.00
22	94026350	KNOB	16.00
23	94058350	NUT	11.00
24	94904151	CHECK VALVE SET	42.00



PRESSURE TANK PET-10 (max. 4.0 bar / 58 PSI)

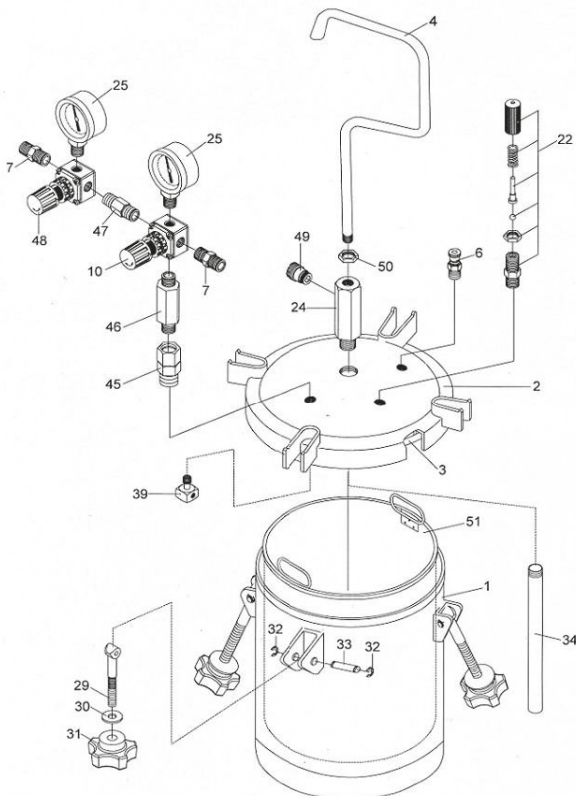


FEATURES:

- Max. Operating Pressure: 4 bar/58 PSI
- Air Inlet/Outlet Joint: G1/4"
- Fluid Outlet Joint: G3/8"
- Capacity: 10 lt
- Inner Tank Cty: 8.5 lt | Stainless Steel
- Weight: 11 Kg
- Dimensions: 310x310x565 mm
- Temperature Range: 5~40°C / 41-104°F



Removable Inner Tank Liner
in Stainless Steel



PET-10 10 lt.			
Ref.	Code	Description	\$
	6315	PET-10 2 GALLON PRESSURE POT	365.00
	04020000	MAIN BODY	213.00
2	04020010	LID ASSEMBLY	138.00
3	04020200	LID PACKING	18.40
4	04020020	HANDLE	13.00
6	04020030	EXHAUST VALVE	10.00
7	94020210	AIR INLET JOINT / OUTLET JOINT G1/4"	6.00
10	94015180	PRESSURE REGULATOR (FOR TANK)	32.00
22	04016390	SAFETY VALVE	17.00
24	04020040	FLUID OUTLET CONNECTING JOINT SUS 303	115.00
25	04016020	PRESSURE GAUGE	12.90
29	04020190	HANDLE BOLT	6.00
30	04020060	WASHER	1.00
31	04020070	THUMB NUT	27.00
32	04020220	C-SNAP RING	1.00
33	04020230	STUD	4.00
34	04020090	SUCTION PIPE SUS 303	27.00
39	94016310	AIR FLOW GUIDE	11.00
45	94020100	ADAPTER	12.00
46	94020110	ADAPTER	12.00
47	94020120	ADAPTER	7.00
48	04020130	PRESSURE REGULATOR (FOR GUN)	29.60
49	04020140	FLUID OUTLET JOINT SUS 303 3/8"	11.00
50	04020160	NUT	1.00
51	04020170	INNER TANK SUS 304	81.00



